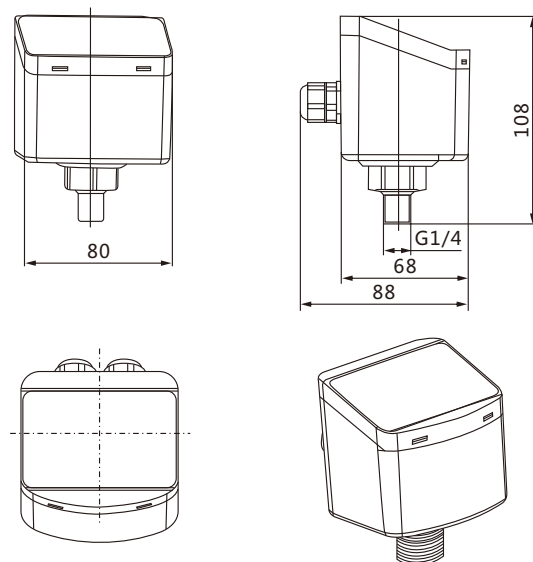


LFDS63 Series

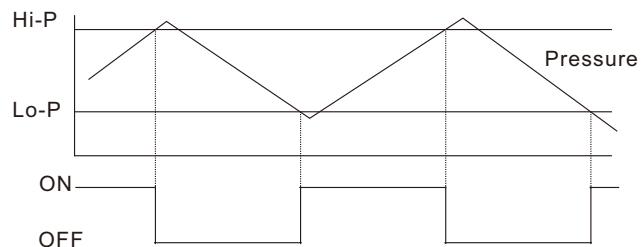
Digital pressure controller



Dimension in:mm

LFDS63(630/631/632) series is made by high-reliability sensor to measure pressure. After disposed by back-end circuit, the signal shows on displayer and automatically control relay output when pressure changes. With design of engineering plastic shell and high-contrast LCD displayer, this series product can be used in various industrial fields. Kinds of connection types can meet different installation requirements. User can adjust parameters freely, with variety of settings built-in, it's flexible and convenient. LFDS63(630/631/632) series is with features of anti-vibration, long lifetime, easy operation, high stability and clear display.

Relay working mode



Hi-P:OFF pressure value Lo-P:ON pressure value
 The Controller will monitor pressure in container in real time, to control pressure by ON/OFF setting.
 User also can use manual set to change parameters and lock protection (refer to operating instruction).

LFDS63 Series Order Ref NO

LFDS630-S-T-R

A B C D

A Pressure range	B Output	C Special function	D Connection
2=Mid-pressure(0~2.0MPa)	No code(default)=Single AC220V output	No code(default)=No	No=G1/4
1=Low-pressure(0~1.0MPa)	S=Single relay switch output	T=Intelligent time control	N=NPT1/4
0=Vacuum(-101.3~10.KPa)	D=Double relay switch output		R=R1/4

Specification

Item\Model	Vacuum	Low-pressure	Mid-pressure
Pressure Range	-101.3~10kPa	0~1.0MPa	0~2MPa
Proof pressure	1.5 times	2 times	
Medium	Air, noncorrosive gas and oil, water		
Rated working voltage	220VAC		
Power Consumption	1.3W(No Load)		
Load	200VAC 10A(Max)		
IP class	IP52		
Connection	G1/4, NPT1/4, R1/4		
Accuracy	±1%F.S		
Storage temperature	-10~60°C		
Operation temperature	10~50°C		
Dimension	80*88*110mm(with connection)		

Conversion: 1kgf/cm²=14.2psi 1bar=14.5psi